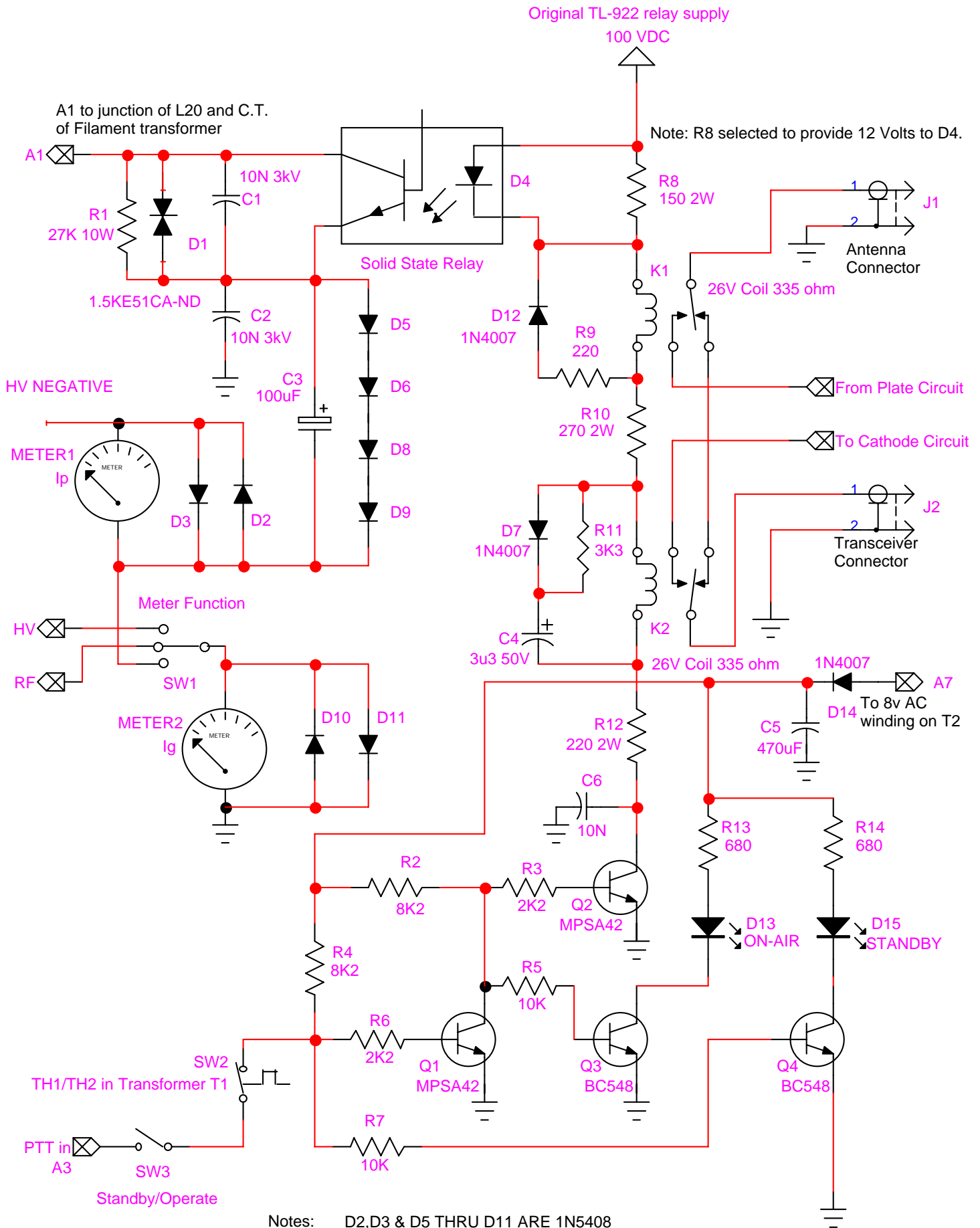


2 x RJ1-A Vacuum Relays & other enhancements for the TL-922 Linear Amplifier
 Last updated in October 2010 - VK2FC



Notes: D2,D3 & D5 THRU D11 ARE 1N5408
 D13 & D15 ARE A HIGH INTENSITY WHITE LED